



Model Number

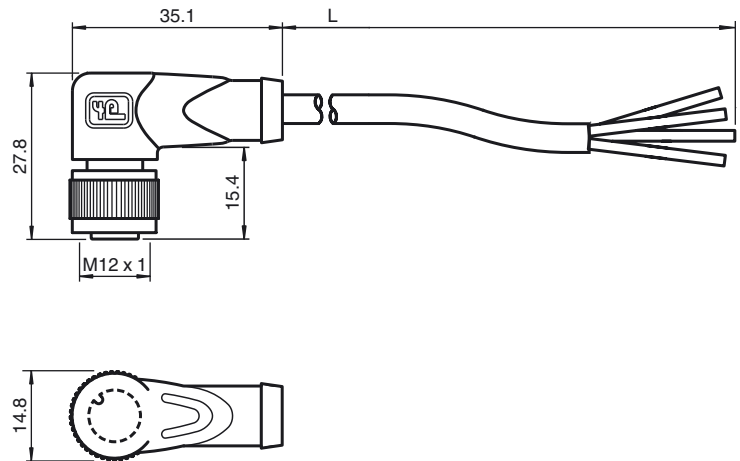
V1-W-N4-2M-PVC

Female cordset, M12, 4-pin, NAMUR, PVC cable

Features

- Suitable for NAMUR technology
- Blue body and sheathing
- Knurled nut suitable for tool assembly
- Immunity to vibration, with mechanical latching
- Degree of protection IP67 / IP68 / IP69K
- Gold plated contacts

Dimensions



Technical data

General specifications

Number of pins	4
----------------	---

Electrical specifications

Operating voltage	U_B	max. 250 V DC
Test voltage		> 1500 V _{eff} AC
Operating current	I_B	max. 4 A
Volume resistance		< 5 m Ω

Ambient conditions

Ambient temperature	-25 ... 100 °C (-13 ... 212 °F) for temperatures over 80 °C (176 °F) reduced elongation at tear
Pollution degree	3

Mechanical specifications

Contact elements	spring-loaded contact socket	
Degree of protection	IP67 / IP68 / IP69k	
Material		
Contacts	CuSn / Au	
Contact surface	Au	
Body	TPU, blue	
Cable	PVC	
Slotted nut	Diecast zinc	
Core insulation	PVC	
Cable	fine-strand, flexible	
Sheath diameter	Ø4.8 mm	
Bending radius	> 10 x cable diameter, moving	
Color	blue	
Cores	4 x 0.34 mm ²	
Conductor construction	19 x 0.15 mm Ø	
Length	L	2 m
Flammability		
Contact carrier	94 V-2	
Housing	94 V-2	

Electrical connection

